

## FIELD UNIT FOR 2 FIRE DAMPERS

- Connects up to 2 fire dampers to the bus
- Provides a terminal connection for two 230V actuators, such as ONE T 230, BFL(T)230, BFNT230...
- Has a predefined address (no addressing required during system commissioning)
- AC 230 V mains power



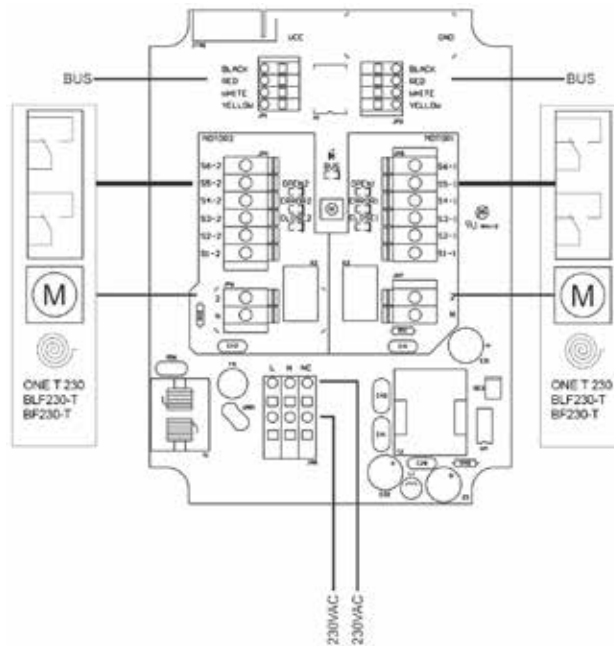
## TECHNICAL DATA

ELECTRICAL DATA	
Nominal voltage range	AC 100 ... 265 V
Maximal current through power terminal	10 A
For wire sizing	24 VA
Power consumption from mains	Actuator consumption + 50 mW
Power consumption from bus	5 mW
Connecting	Power supply terminal 2 x 3 x max. 2.5 mm <sup>2</sup> Actuator output terminal, 2 x 6 x 1.5 mm <sup>2</sup> Actuator power supply terminal, 2 x 3 x 1.5 mm <sup>2</sup> Bus terminal 2 x 4 x 1.5 mm <sup>2</sup> wire
Wire stripping length	10 mm
SAFETY	
Protection class	Class II (all insulated)
Degree of protection	IP54
EMC	CE according to 2004/108/EC
Low-voltage-directive	CE according to 2006/95/EC
Rated impulse voltage	2.5 kV
Control pollution degree	3
Type of action	Type 1
Software class	A
Ambient humidity range	max. 95 % r.H., non condensing
Ambient temperature range	-20 ... +60 °C
Non-operating temperature	-40 ... +85 °C
Maintenance	Maintenance-free
DIMENSIONS / WEIGHT	
Dimensions	154 x 114 x 77 mm
Weight	400 g

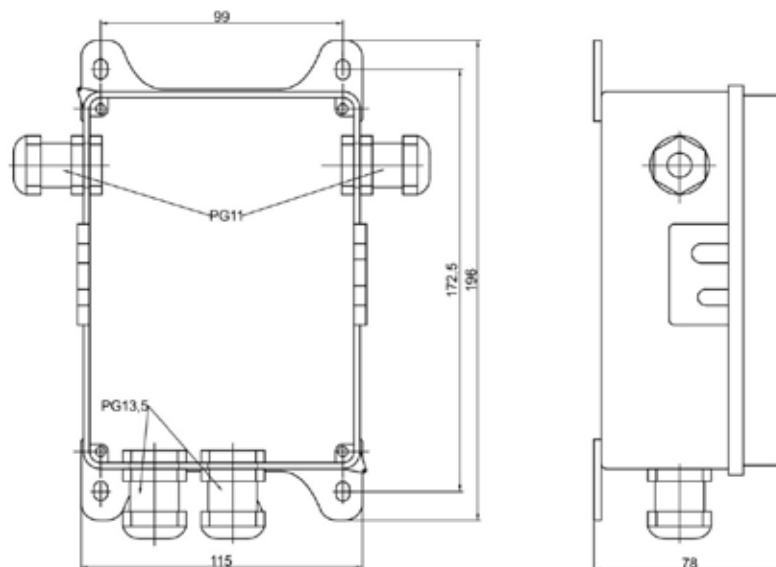
## PRODUCT FEATURES

Control of fire damper actuators	ZENiX 2FD is used for controlling up to two 230 V fire damper actuators. The unit is connected to ZENiX controller via the 4 wire bus communication.
Predefined address	Each unit has a predefined address, no addressing required.
Work without 230 V	ZENiX 2FD unit is able to work without 230 V: it will only send data about actuator position to the ZENiX controller and will not be able to re-arm the fire damper.

### WIRING AND RESOURCES



### DIMENSIONS AND MOUNTING



### SAFETY NOTES



- The device is not allowed to be used outside the specified field of application, especially in aircraft or in any other airborne means of transport.
- Caution: Power supply voltage!
- It may only be installed by suitably trained personnel. Any legal regulations or regulations issued by authorities must be observed during assembly.
- The device may only be opened at the manufacturer's site. It does not contain any parts that can be replaced or repaired by the user.
- The device contains electrical and electronic components and is not allowed to be disposed of as household refuse. All locally valid regulations and requirements must be observed.

If the product is manipulated in any other way than described, Rf-Technologies will decline any responsibility and the guarantee will immediately expire!

